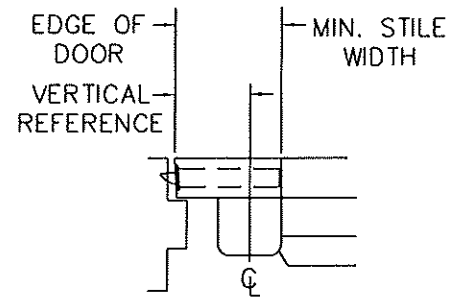
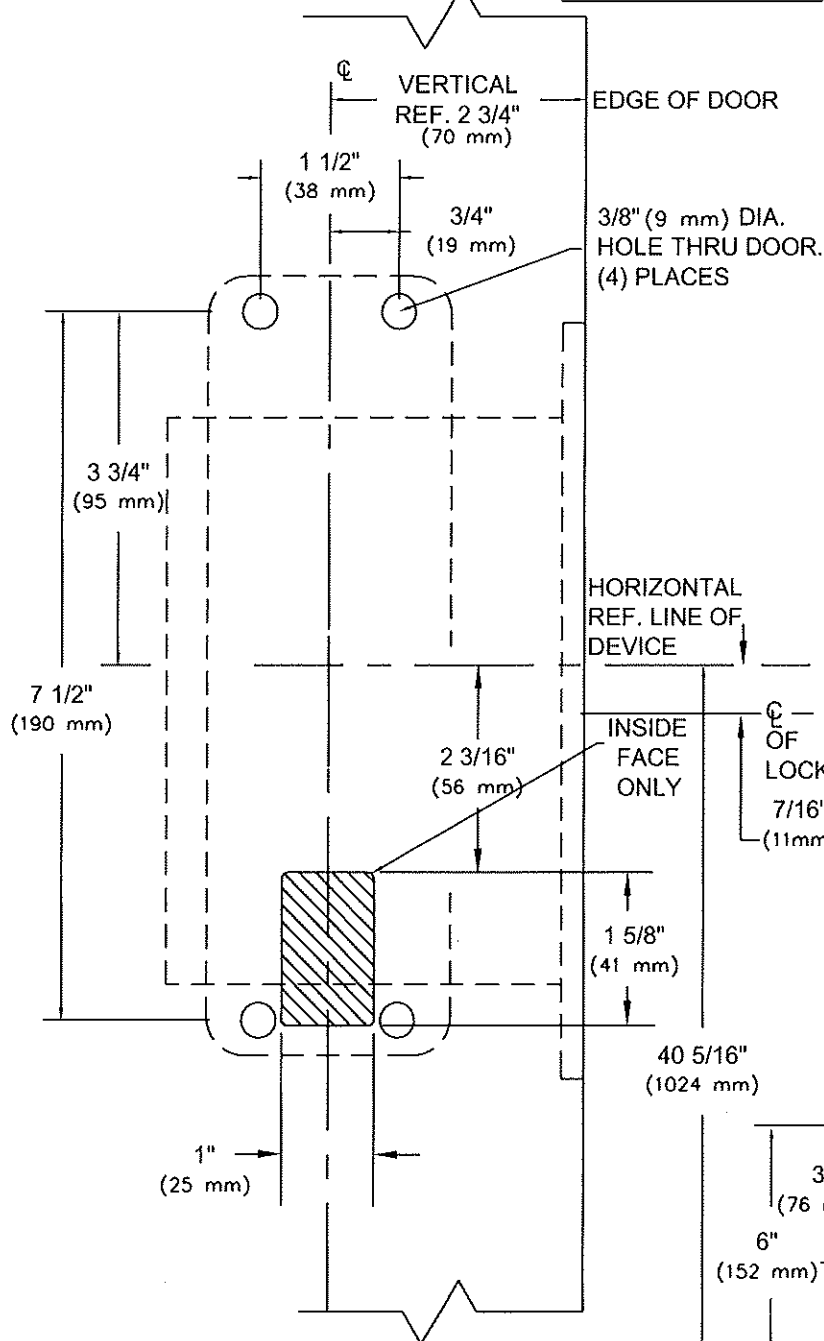
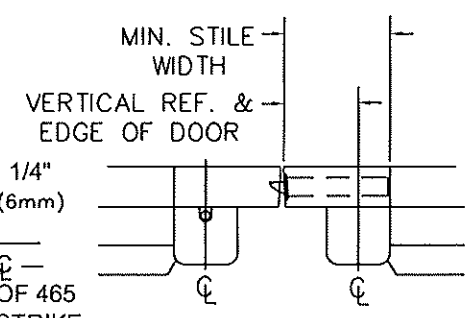


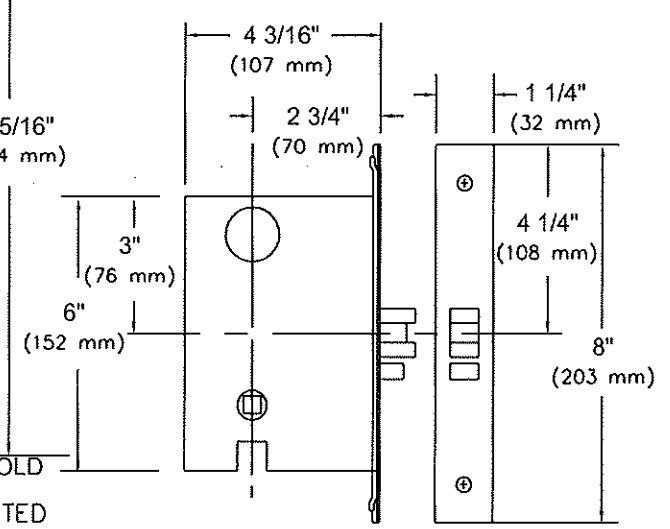
RHR SHOWN
LHR OPPOSITE



VERTICAL REFERENCE	MINIMUM STILE WIDTH
2 3/4" (70 mm)	4 3/16" (106 mm)




VERTICAL REFERENCE	MINIMUM STILE WIDTH
2 3/4" (70 mm)	4 3/16" (106 mm)

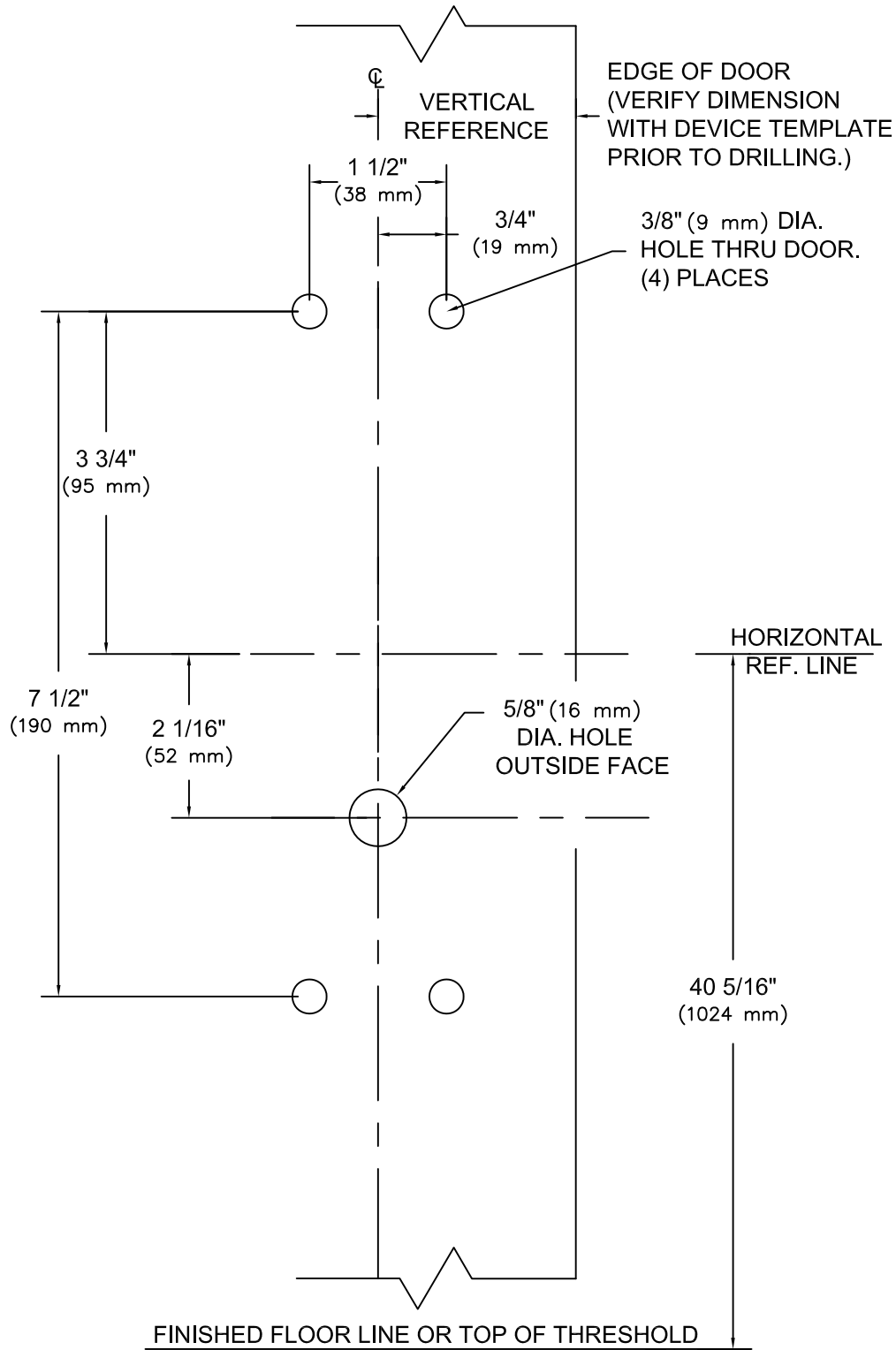


NOTES: FINISHED FLOOR LINE OR TOP OF THRESHOLD

1. SEE MASTER SHEET #T-0001 FOR SUGGESTED DOOR REINFORCEMENT.
2. SEE ADDITIONAL TRIM TEMPLATE WHEN REQUIRED.
3. DEVICE WILL COVER STANDARD SDI CUTOUT.

REV. No. 5	REVISION: Wording change	DATE: 2-16-16
	9500 & F9500 x YODT	TEMPLATE NUMBER
	Y*02MR, YX02MR, Y*03MR, Y*08M, F*08MC, Y*23M	T-9501⑤
	notr; * Denotes all Lever Design Styles	
MORTISE TYPE EXIT DEVICE		

RHR SHOWN
LHR OPPOSITE



NOTES:

1. SEE MASTER SHEET #T-0001 FOR SUGGESTED DOOR REINFORCEMENT.
2. SEE ADDITIONAL DEVICE TEMPLATE WHEN REQUIRED.
3. TRIM WILL COVER STANDARD SDI CUTOUT.

REV. No. 3

REVISION: Lever Style Notes

DATE: 1-17-14



Y*23M

Note; * Denotes all Lever Design Styles

TEMPLATE NUMBER

T-9011 ③